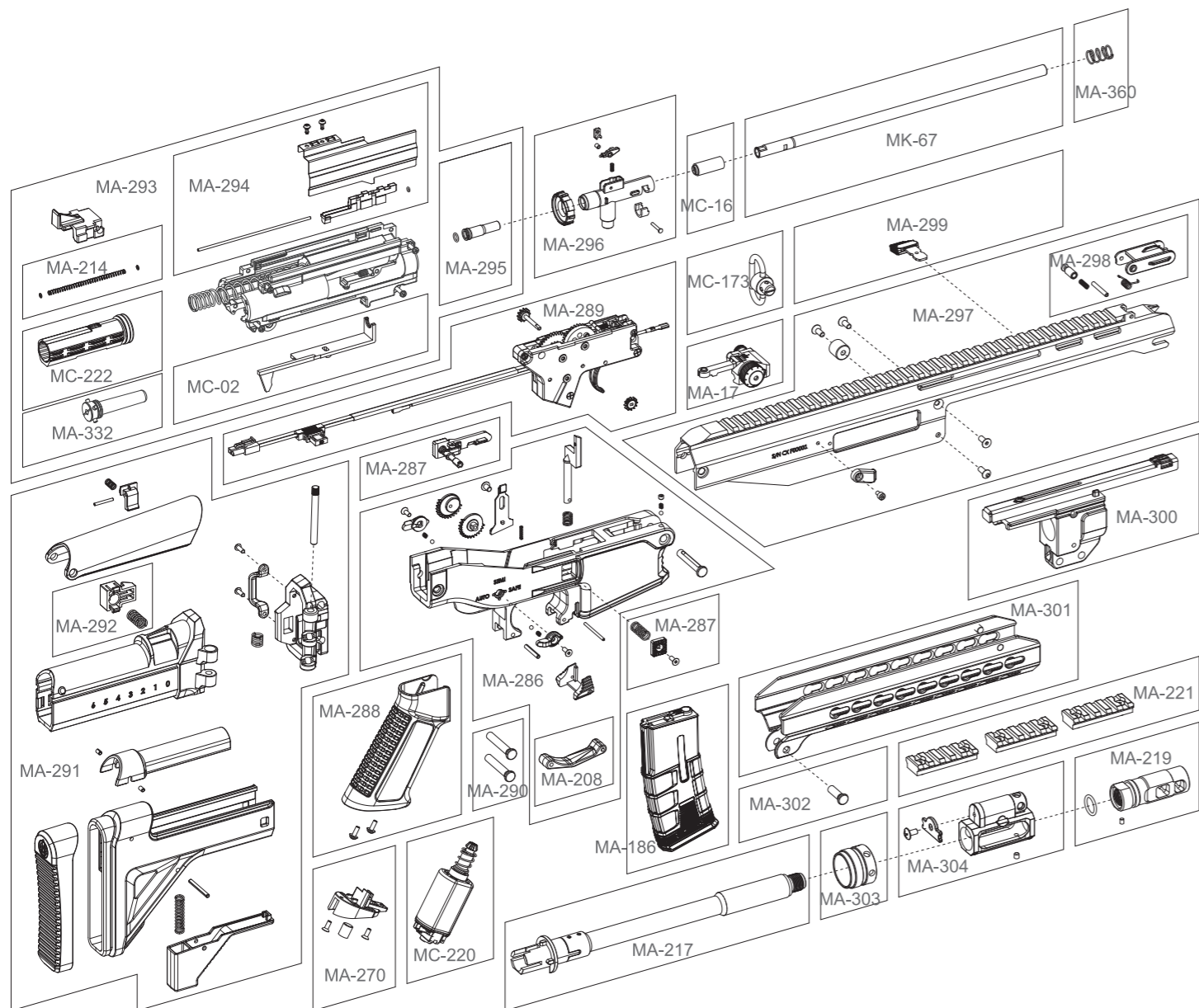


8 各部零件說明 Description

ICS-230

*每一款槍型基本配備不同依實際出貨為主。圖片僅供參考。
The components/accessories for each model may have kind of differences depending on the actual goods. Images are only for reference.

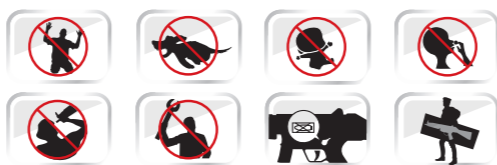


Patents acquired: US 7,077,117 B1 / US D706,880 S / RCD 002509737-0001 / R.O.C. M244431 / R.O.C. M320468 / R.O.C. D159178 / US D733,233S / EM002246579-0001

WARNING 警告 電槍使用之注意事項 Maintenance

- 請勿使用劣質或回收BB彈，以減少槍管損耗及避免卡彈。
- 一旦發生卡彈或射擊速度降低時，應立即停止射擊，以避免齒輪過度耗損。請使用通槍條將殘彈清除，或檢測電池電量後方可繼續使用。
- 不使用本產品時，請務必將射擊選擇鈕置於保險(S)的位置上，並將電池移除並定期使用通槍條清潔槍管。
- 請依照原廠附贈之保險絲規格使用。不當配置可能導致零件故障，槍內配置M100彈簧請用20A保險絲，M120彈簧請用25A保險絲。
- 彈頭直徑6mm。其槍口動能為二焦耳以下、射程範圍為50公尺以內。
- 適用年齡為十六歲以上，未成年人在使用時需有成年人在場監督。
- 使用本商品不得改造或變造，並不得使用金屬彈頭。
- 「此槍非玩具」，濫用可能導致嚴重傷害，尤其是眼睛。使用時應確保本身及射擊範圍內所有人員均已確實穿戴護目鏡。
- 使用方法或注意事項請詳閱說明書內容。

- To reduce the abrasion of inner barrel and to avoid jam, please do not use inferior or reused BB pellets.
- If your gun is jammed or the muzzle velocity has decreased, please stop shooting immediately in case the gear abrades excessively. Use the clearing rod to clear out the remaining pellets, or check your battery power before continue using your gun.
- Please engage the safety, dismount the battery and clear the inner barrel with the clearing rod periodically when not using this product.
- Please use the fuse with the specification according to the original one. Equipping improper fuse might cause malfunction to the components. If your gun is applied with a M100 spring, please use 20A fuse. If applied with a M120 spring, please use 25A fuse.
- The diameter of the BB pellet is 6mm. It's muzzle energy is less than two joules, and the shooting range is within 50 meters.
- The suitable age to operate is 16 and above. Adults must supervise at side while juveniles operate the product.
- Modify, reform, and use of metal bullets on this product are strictly forbidden.
- This is NOT a toy. Abusing might cause severe injuries, especially to the eyes. Before operating, please make sure that every Personnel in the shooting range have worn eye protection properly, including the operator himself.
- Please read the manual for instruction or precaution.

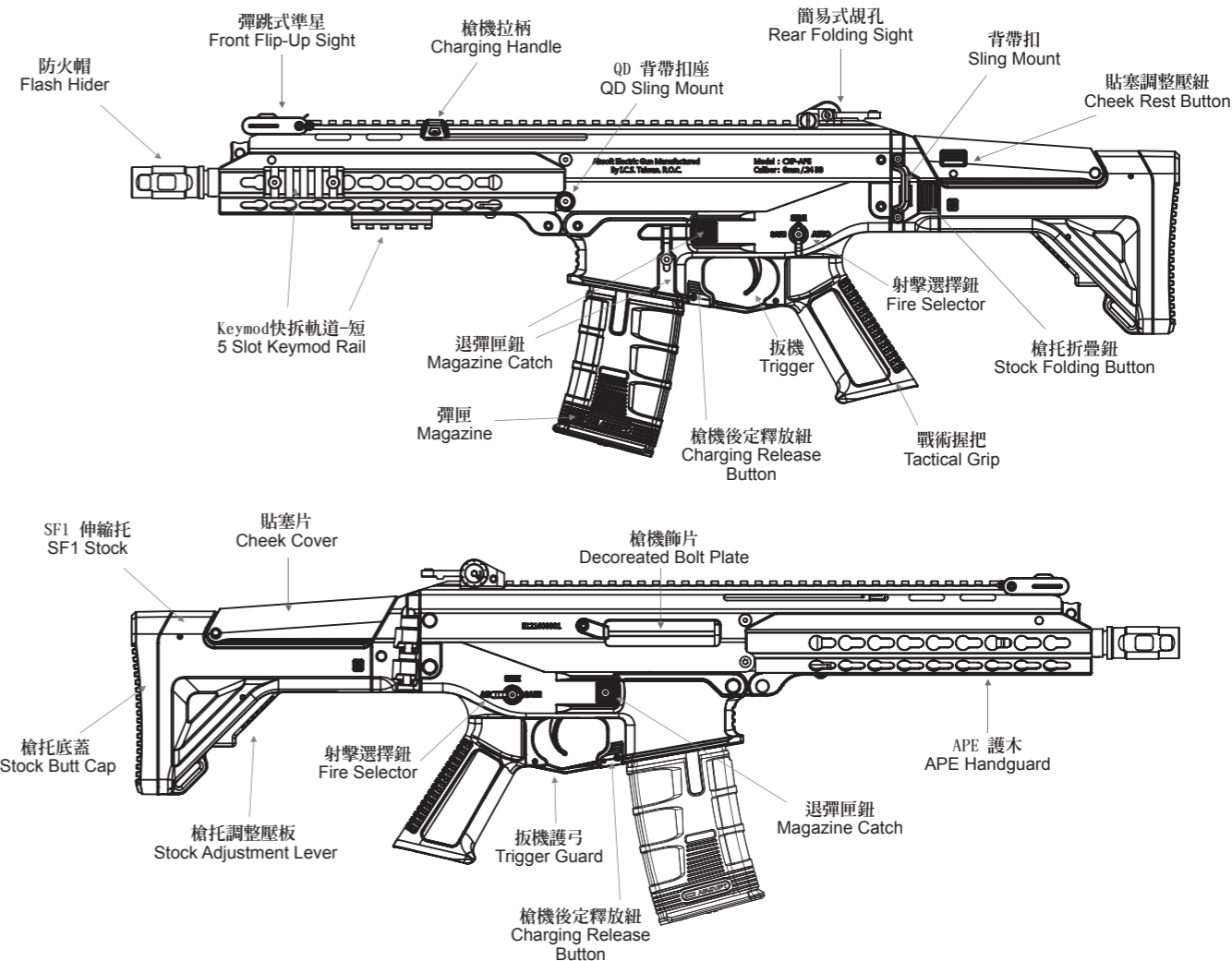


BE A GAME CHANGER
ICSAIRSOFT

(原產地: 台灣 / 製造商: 一芝軒企業有限公司 / 地址: 台中市神岡區東洲路79巷67號 / 電話: 04-25256461)

Origin: Taiwan/ Manufacturer: ICS enterprise Co., Ltd. / Address: No.67, Ln. 79, Dongzhou Rd., Shengang Dist., Taichung City 429, Taiwan / TEL: (886) 4-2525-6461

1 各部名稱 Series Component



相關系列產品型號與詳細規格，請以官方網站公布為主。
For related series product models and detailed specifications, please refer to the official website.

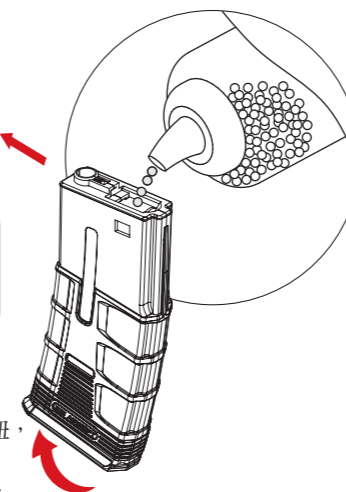
2 彈匣使用方式 Magazine attachment

2-1 裝BB彈方式 Load BBs

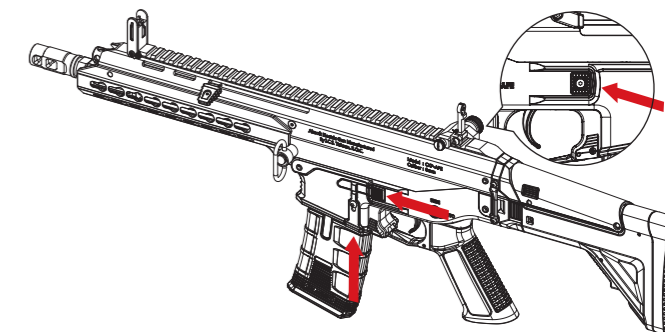
將彈匣上蓋依箭頭方向推開再倒入BB彈。
Open the cover to load BBs.

建議使用 6mm BB彈
6mm caliber BBs are recommended for optimum performance.

依箭頭方向旋緊彈匣底下旋鈕，即可將BB彈順利送出。
To charge BB feed spring, please rotate the gear under the magazine.



2-2 裝卸彈匣 Magazine Loading and Unloading



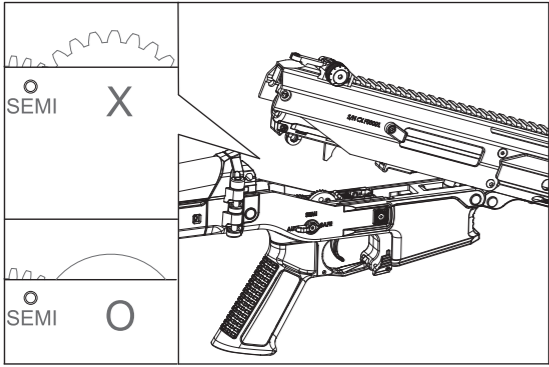
- 直接將彈匣插入彈匣插槽。
- 按壓退彈匣鈕即可將彈匣卸下。
- Load the magazine directly into the magazine slot.
- Press the magazine catch to unload the magazine.

3 可動部的說明 Movable Parts

3-1 槍身結合3號齒正確位置圖 The correct position of sector gear before reassembling

注意 未進行歸位校正，會損壞活塞及齒輪。

※ The piston and gear may be damaged without correcting the position in advance.



3號齒在槍身結合時，必須轉到正確位置，才可將上槍身蓋下。
Make sure the sector gear is turned to the correct position before reassembling the receiver/gearbox.

3-3 槍機の後定與復位 Decorated Bolt Cover Adjustment

- 將槍機拉柄向後拉，槍機飾片即可固定在開啟狀態。
- 按下槍機釋放鈕，槍機飾片即可復位。
- Pull the charging handle backward, the decorated bolt plate can be opened and held at the rear.
- Press the Charging handle downward to return the decorated bolt plate to the original position.

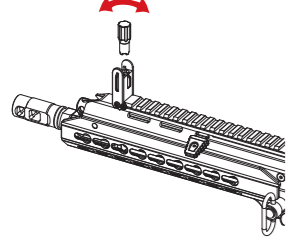
Note: Do not put your finger or any foreign matter in the chamber when releasing charging handle.

4 精確射擊調整動作 Precision Targeting Adjustment

4-1 準星視孔調整方式 Front and Rear Sight Adjustment

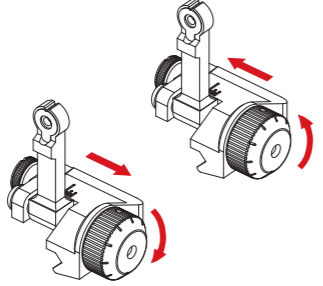
A: 準星高度調整 Front Sights Adjustment

使用準星扳手來調整準星高度。逆時鐘旋轉即可升高準星高度；順時鐘即可降低準星高度。
Use the wrench tool to adjust the height of the sight. Rotate counterclockwise to raise the height of the sight, and clockwise to lower the sight.



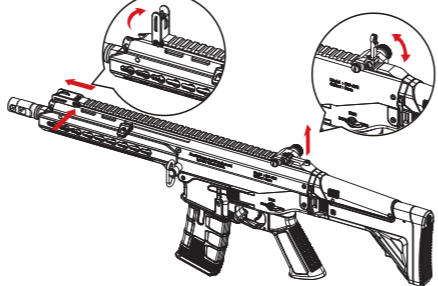
B: 視孔調整方式 Rear Sight Adjustment

依旋鈕方向旋轉即可將視孔組左右調整。
Adjust the windage of the rear sight by rotating the knobs according to the instruct directions.

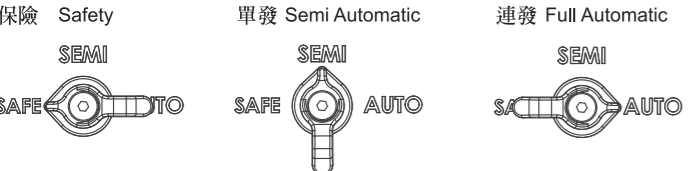


C: 彈跳式準星/折疊視孔 Back-Up Front Sight / Folded Rear Sight

按壓準星壓鈕即可彈起準星座。向前按壓準星座即可收合準星座。
Press the button on the front sight to deploy. Push the sight forward to store.
向上推即可將視孔立起；向後推即可將視孔收和。
Push the rear sight upward to raise the sight. Push the sight backward to store.



4-2 選擇射擊模式 Shooting Mode Setting



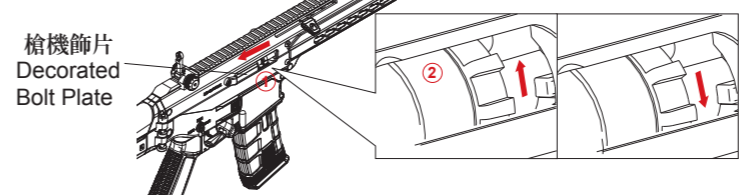
※此系列產品具備「關保險自動釋放彈簧功能」。
1. 槍上有彈匣的情況下，關保險會自動釋放彈簧，有機率造成第一發雙彈射出或者小使彈，屬正常情況。
2. 槍枝使用完畢，請轉至單發模式下，擊發2-3下後做清槍動作，再關保險確保槍管內已無殘彈。
3. 上下槍身分解前，務必先關保險釋放彈簧，避免造成齒輪倒轉損壞活塞。
※關保險自動釋放，可延長彈簧壽命，避免長期擠壓造成疲乏。

※ This product is equipped with an auto spring tension releases mechanism in the safety mode.
1. Having a magazine loaded, it is a normal condition that the gun might shoot a double shot, or a weak shot after turning it to safety and releasing the tension stored in the spring.
2. After finishing playing, fire the gun 2-3 times in semi auto to clear the remaining BBs inside the hop-up chamber, then switch the selector lever to safety to ensure there is no BB left inside.
3. Before opening the upper and lower receivers, always release the spring tension by turning the selector lever to safety position, this will avoid spring damage from sudden release from the sector gear.
※ The spring tension release mechanism can extend the spring lifetime by avoiding spring fatigued from long time compression.

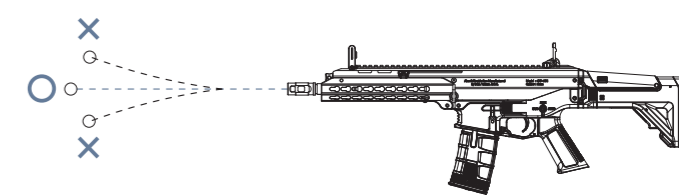
5 H-UP彈道調整 H-UP adjustment

注意 非必要時，手指請勿放置於H-UP調整處，避免受傷

※ To avoid injuries, only put your finger on the H-up adjustment when necessary.



- 將槍機拉柄往後拉，槍機飾片向後打開，即可進行彈道調整。
- 視彈道進行撥盤調整，調整完即可放開槍機拉柄。
- To adjust the trajectory, pull the charging handle back to the end to open the decorated bolt plate backward.
- Rotate the dial to adjust the trajectory. Release the charging handle only when you finished the adjustment.

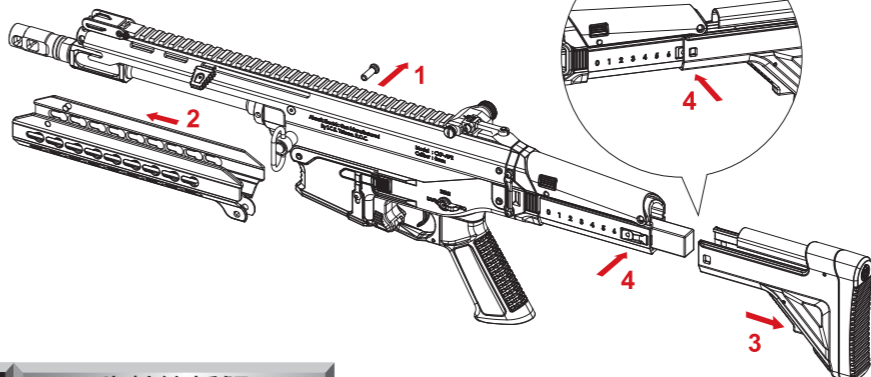


H-UP調整：BB彈呈現一直線的彈道才是正確射法。
過於上飄：將撥盤向上旋轉。
過於下墜：將撥盤向下旋轉。
H-up Adjustment: Make sure the trajectory of the BB pellets to be straight.
When the BB pellet flies up: Rotate the dial counter-clockwise to lower the trajectory.
When the BB pellet falls down: Rotate the dial clockwise to raise the trajectory.

6 電池及護木的拆裝方法 Batteries and handguard installation

注意 重新組裝時，必須依反向動作組合

※ Reassembling is the reverse of disassembling procedures.

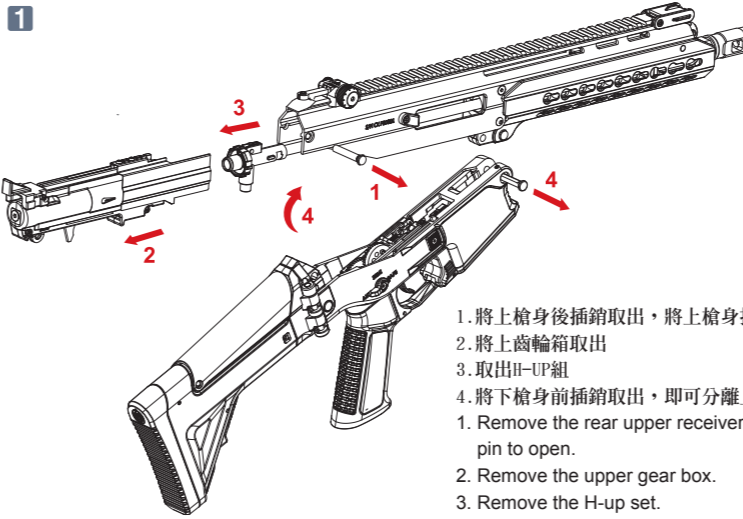


- 取下護木插銷
- 下護木往前抽出
- 安壓槍托調整桿並拉至最後(卡榫所在位置)
- 將槍托套固定片向內壓，即可將槍托取下，方便安裝電池
- Remove the handguard pin.
- Push the lower handguard forward to remove.
- Press the stock adjustment lever and pull the stock to the end.
- Press the stock locking button inward to remove the stock and for easy battery installation.

7 齒輪箱拆解 Disassemble gearbox

注意 先卸彈匣跟電池，再進行拆解

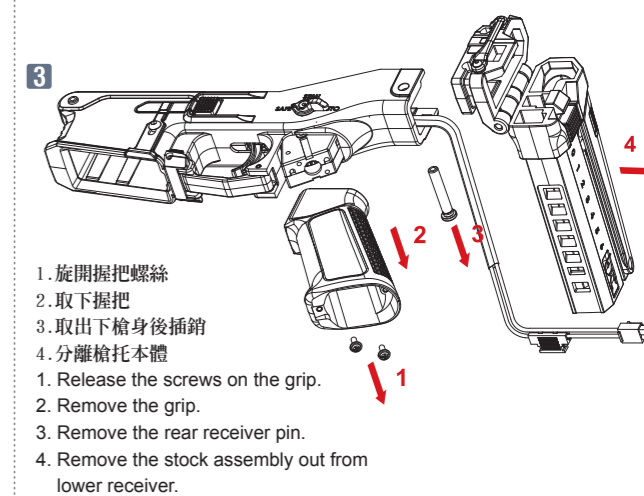
※ Unload the magazine and battery before you proceed to disassemble.



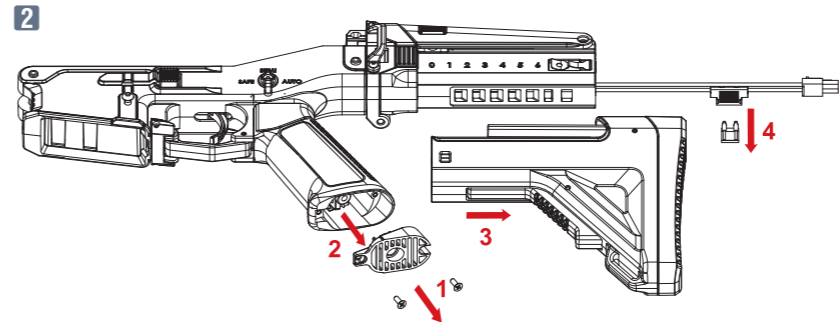
- 將上槍身後插銷取出，將上槍身打開
- 將上齒輪箱取出
- 取出H-UP組
- 將下槍身前插銷取出，即可分離上下槍身
- Remove the rear upper receiver assemble pin to open.
- Remove the upper gear box.
- Remove the H-up set.
- Remove the front lower receiver assemble pin to separate upper and lower receivers.

注意 重新組裝時，必須依反向動作組合，並小心線材破損

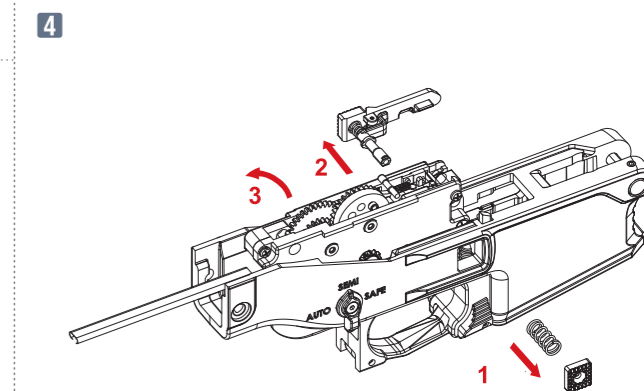
※ While Reassembling, following the reverse procedure of disassembling is a must, and beware of wire breakage.



- 旋開握把螺絲
- 取下握把
- 取出下槍身後插銷
- 分離槍托本體
- Release the screws on the grip.
- Remove the grip.
- Remove the rear receiver pin.
- Remove the stock assembly out from lower receiver.



- 旋開握把底蓋螺絲並卸下握把底蓋
- 將馬達拆下
- 取下槍托(參考步驟6)
- 取下保險絲
- Unscrew and remove the pistol grip butt cap.
- Remove the motor.
- Remove the stock (refer to step 6).
- Dismantle the fuse.



- 旋開彈匣卡榫螺絲
- 取下彈匣卡榫
- 將下齒輪箱取出
- Unscrew to remove the magazine release button.
- Remove the magazine catch.
- Remove the lower gearbox.