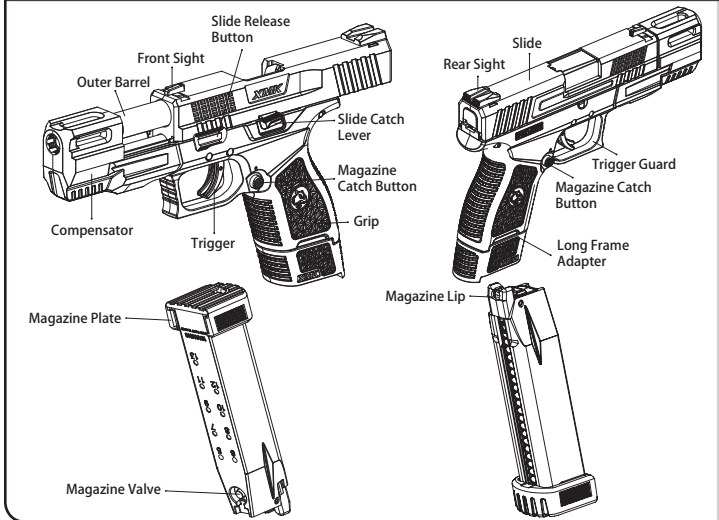


WARNING

- To avoid damaging the product, please release the gas from the magazines or cartridges while not operating.
- Sales and usage are restricted to 18-year-old people or older. Those below 18 years old are not allowed neither to purchase nor to operate alone.
- Never aim or shoot at people or animals. Please beware of childrens' mis-handling.
- Please read and fully understand all details listed in this instruction manual before using this air gun. You can download it from www.icsbb.com if you lose this instruction manual.

6mm BB

1 PART DESCRIPTION



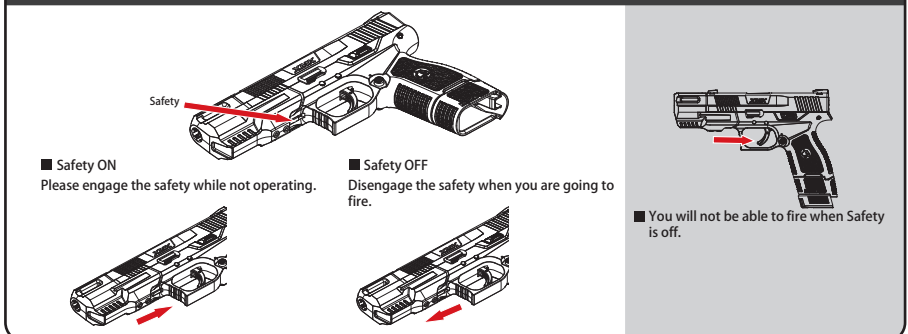
WARNING-ATTENTION



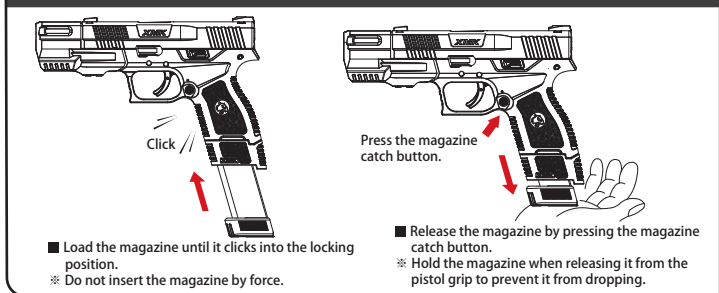
This model is featured with Gas-Blow-Back function. The slide will be pushed backward by the gas pressure strongly and rapidly while firing. To prevent injury, please keep your face and finger away from the slide.

The pistol could be damaged when using at temperature of 30°C (86°F) or above.

2 SAFETY DEVICE



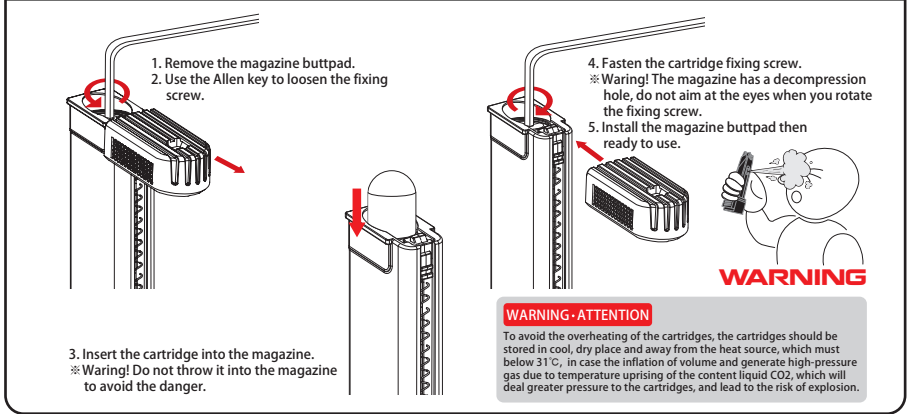
3 LOADING MAGAZINE



WARNING-ATTENTION

To prevent misfiring, keep your finger off the trigger and out of the trigger guard while loading the magazine. For safety reason, please remove the magazine while not operating.

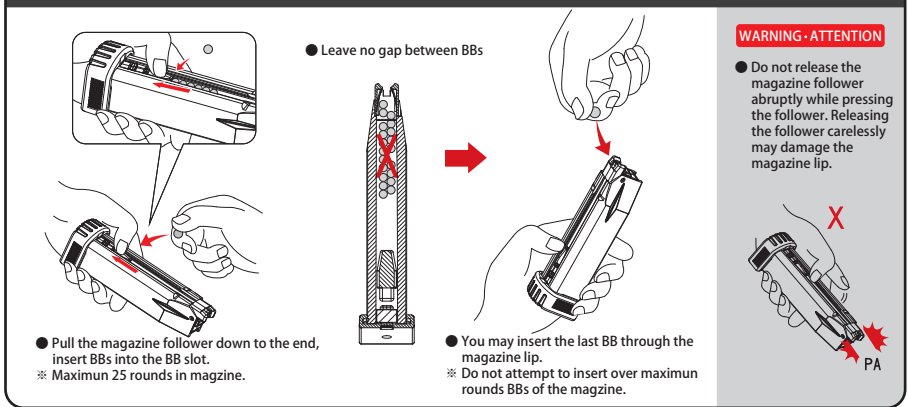
4 CO2 CARTRIDGE INSTALLATION



WARNING-ATTENTION

To avoid the overheating of the cartridges, the cartridges should be stored in cool, dry place and away from the heat source, which must below 31°C, in case the inflation of volume and generate high-pressure gas due to temperature uprising of the content liquid CO₂, which will deal greater pressure to the cartridges, and lead to the risk of explosion.

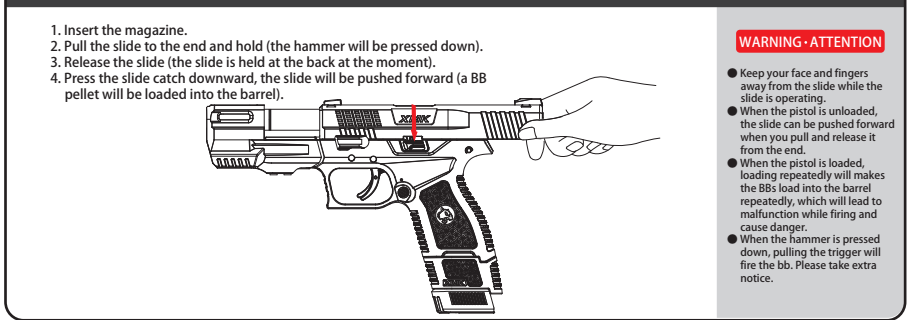
5 LOADING BBs



WARNING-ATTENTION

Do not release the magazine follower abruptly while pressing the follower. Releasing the follower carelessly may damage the magazine lip.

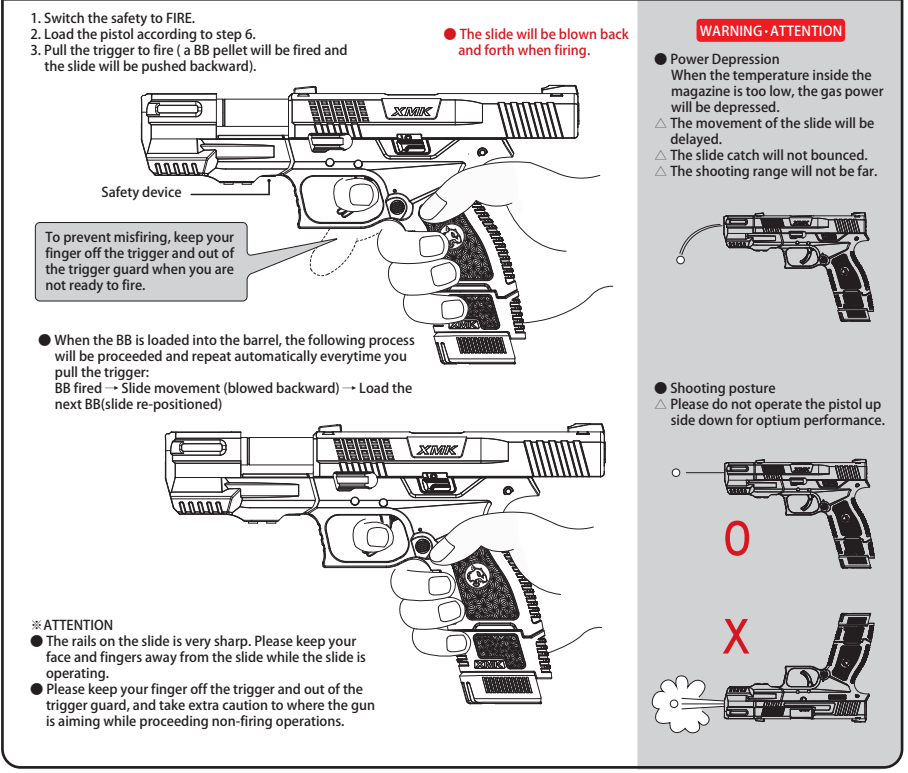
6 LOADING



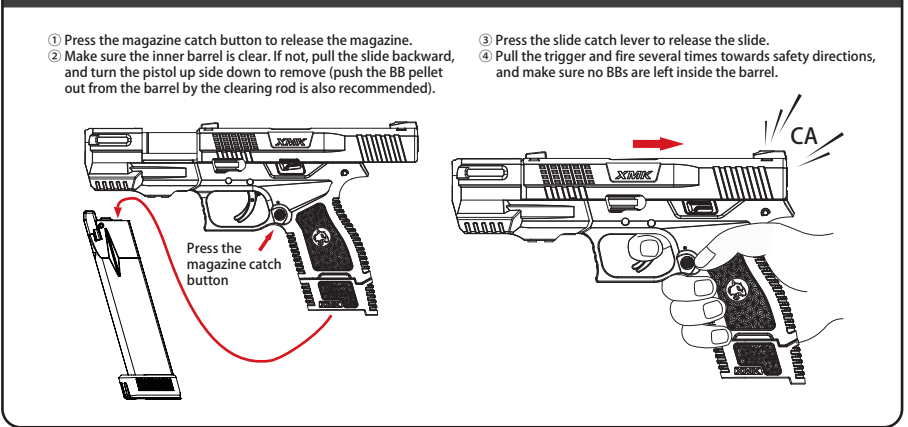
WARNING-ATTENTION

Keep your face and fingers away from the slide while the slide is operating. When the pistol is unloaded, the slide can be pushed forward when you pull and release it from the end. When the pistol is loaded, loading repeatedly will makes the BBs load into the barrel repeatedly, which will lead to malfunction while firing and cause danger. When the hammer is pressed down, pulling the trigger will fire the bb. Please take extra notice.

7 SHOOTING



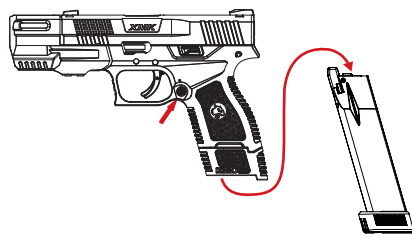
8 STORAGE



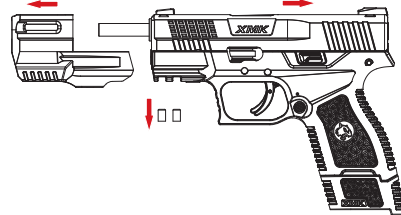
9 DISASSEMBLY (Do it when necessary)

Only disassemble your airsoft replica when adjusting the H-UP and proceeding to maintenance.

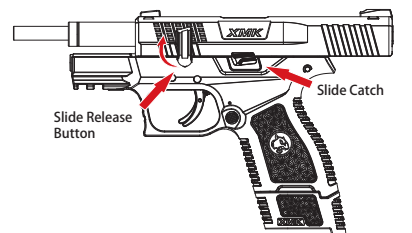
- Press the magazine catch button to unload the magazine and follow step 2 to remove the compensator.



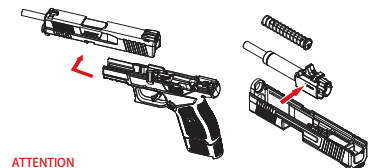
- Screw out the compensator screw.
- Take the compensator out of the rail.
- Pull and hold the slide to the end.



- Push the slide catch lever upward to hold the slide at the rear.
- Press the slide release button downward, hold your slide with your hand then press the slide catch lever.



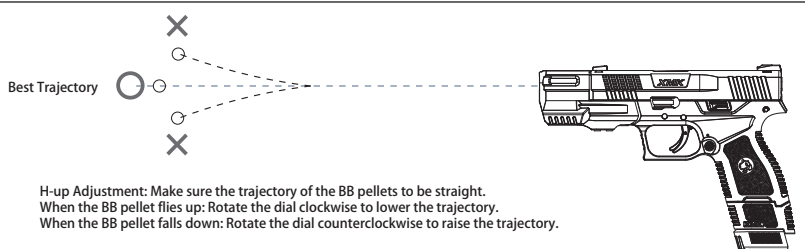
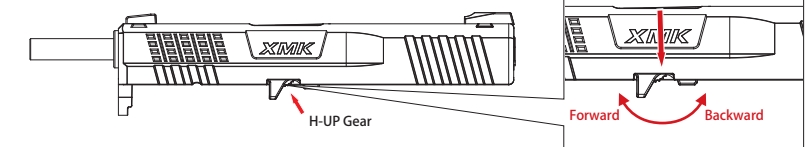
- Push the slide forward to remove.
- Push the recoil spring guide forward to detach from the frame, then remove it upward.
- Slightly push the outer barrel assembly forward, and then remove it upward.



ATTENTION
 △ Please keep your finger off the trigger and out of the trigger guard, and mind where the gun is aiming while proceeding non-firing operations.

10 H-UP ADJUSTMENT

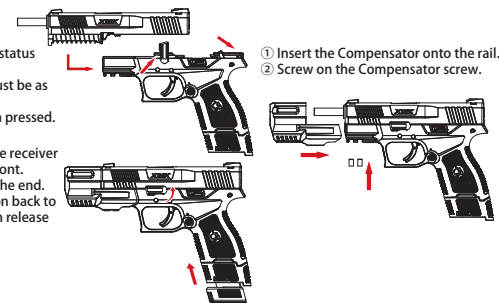
- Please disassemble and remove the slide as step 9 instructed.
- Slightly rotate the dial to adjust the H-UP.



H-up Adjustment: Make sure the trajectory of the BB pellets to be straight.
 When the BB pellet flies up: Rotate the dial clockwise to lower the trajectory.
 When the BB pellet falls down: Rotate the dial counter-clockwise to raise the trajectory.

11 ASSEMBLY

- Please check the following status before assembly:
 - The slide release button must be as same as shown
 - The hammer must be down pressed.



WARNING · ATTENTION

ICS will not be responsible for any part assembling errors, missing parts, and problems such as malfunctions, accidents, injuries, caused by malfunction, and all the maintaining expenses will be beared by the customer themselves.

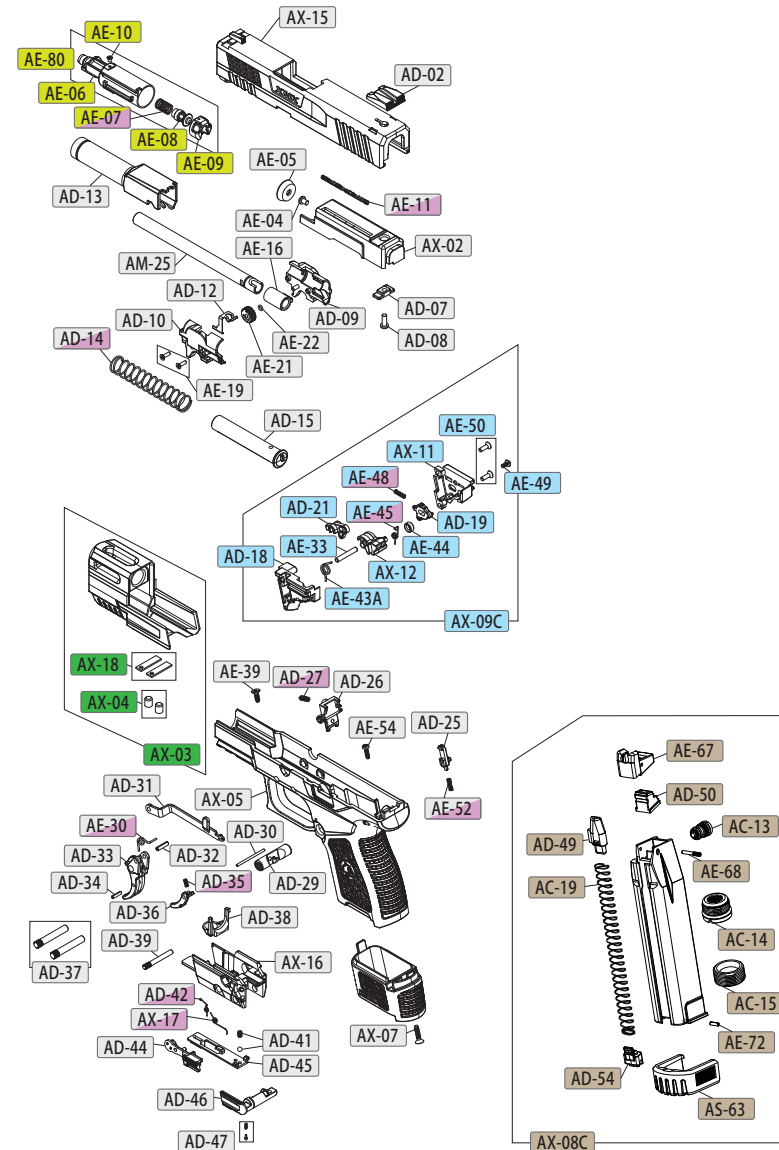
- Insert the slide back into the receiver through the rail from the front.
- Push and hold the slide to the end.
- Turn the slide release button back to its horizontal position, then release the slide.
- Load an empty magazine.

12 BASIC TROUBLESHOOTING GUIDE

SYMPTOMS	POSSIBLE CAUSE	SOLUTIONS
No response	The safety is ON. (No firing)	Switch the safety to "OFF". (refer to step 2)
	Insufficient gas in the cartridge	Replace a new cartridge after confirming the cartridge is empty (refer to step 7, item 4 and step 4)
CO2 comes out from the barrel	Temperature is too low. (during the winter)	Reheat the cartridge to room temperature.
	Cartridge over-pressured	It will return normal after firing several times.
BBs fly up	H-UP is over adjusted.	Adjust the H-UP screw clockwise. (refer to step 9)
Shooting range is too short	H-UP is not enough.	Adjust the H-UP screw counter-clockwise. (refer to step 9)
	Foreign matters or oil in the inner barrel.	Clean the inner barrel and H-UP bucking.
	Cartridge over-pressured.	It will return normal after firing several times.
BBs roll out of barrel	H-UP is not enough.	Adjust the H-UP screw counter-clockwise. (refer to step 9)
Jammed	H-UP is over adjusted.	Adjust the H-UP screw clockwise. (refer to step 9)
	Bad BBs, oversize BBs	0.2g to 0.25g 6mm caliber BBs are recommended for optimum performance.
Trigger cannot be pulled.	Foreign matters or oil in the inner barrel.	Clean the inner barrel.
	BBs or foreign matters jam inside the case.	Take out the BBs or foreign matters.
CO2 leaking from perforated seat	Bad installation of the cartridge	Replace a new cartridge after confirming the cartridge is empty.(refer to step 7, item 4 and step 4)
	Not enough silicon oil for perforated seat .	Grease the perforated seat.
Magazine lip cannot hold the BBs.	Magazine lip abraded	Replace the Magazine lip.

13 PARTS DIAGRAM

*The components/accessories for each model may have kind of differences depending on the actual goods. Images are only for reference.



14 PARTS DESCRIPTION

ITEM#	DESCRIPTION	Q'TY	ITEM#	DESCRIPTION	Q'TY
AD-02	XPD Rear Sight-BK	1	AE-44	XAE Hammer Guide Wheel	1
AD-07	XPD loaded Chamber Indicator Mount	1	AE-45	XAE Hammer Bar Spring	1
AD-08	Cylinder Housing Screw	1	AE-48	XAE Hammer Disconnect Spring	1
AD-09	XPD H-UP Chamber-Right	1	AE-49	Round Head Hammer Housing Screw	1
AD-10	XPD H-UP Chamber-Left	1	AE-50	Flat Head Hammer Housing Screw	2
AD-12	XPD H-UP Plate	1	AE-52	XAE Hammer Disconnect Pin Spring	1
AD-13	XPD Outer Barrel	1	AE-54	Hammer Housing Screw	1
AD-14	XPD Recoil Spring	1	AE-67	Magazine Lip	1
AD-15	XPD Recoil Spring Guide	1	AE-68	Magazine Lip Pin	1
AD-16	XPD Hammer Insurance Lever	1	AE-72	Magazine Base Plate Stop Pin	1
AD-18	XPD Hammer Housing-Left	1	AE-80	XAE Cylinder Combination	1
AD-19	XPD Hammer Disconnect	1	AM-25	BM9 Inner Barrel (113mm)	1
AD-21	XPD Hammer Bar	1	AX-02	XMK Cylinder Housing	1
AD-25	XPD Hammer Disconnect Pin	1	AX-03	XMK Compensator and Screw	1
AD-26	XPD Magazine Catch	1	AX-04	Compensator Screw	2
AD-27	XPD Magazine Catch Spring	1	AX-05	XMK Frame-BK	1
AD-29	XPD Magazine Release Button	1	AX-07	Long Frame Adapter Screw	1
AD-30	Magazine Catch Pin	1	AX-08C	XMK CO2 Magazine	1
AD-31	XPD Trigger Bar	1	AX-09C	XMK Hammer Combination CO2 Ver.	1
AD-32	Trigger Bar Spring Pin	1	AX-10	XMK Spring Parts	1
AD-33	XPD Trigger	1	AX-11	XMK Hammer Housing-Right	1
AD-34	Trigger Safety Pin	1	AX-12	XMK Hammer	1
AD-35	XPD Trigger Spring	1	AX-15	XMK Slide with Front Sight Ver.2	1
AD-36	XPD Trigger Safety	1	AX-16	XMK Trigger Housing Ver.2	1
AD-37	XPD Frame Housing Pin	2	AX-17	XMK Slide Locking Plate Spring	1
AD-38	XPD Slide Positioning Block	1	AX-18	Steel Plate	2
AD-39	XPD Hammer Housing Pin-Rear	1	AC-13	CO2 Valve	1
AD-41	Bearing Ball and Spring	1	AC-14	CO2 Cylinder Perforated Seat	1
AD-42	Slide Disassemble Lever Spring	1	AC-15	CO2 Cylinder Housing Screw	1
AD-44	XPD Slide Catch Lever Plate	1	AC-19	CO2 Magazine Spring-Short	1
AD-45	XPD Safety Plate	1	AS-63	CO2 Magazine Plate	1
AD-46	XPD Slide Disassemble Lever	1			
AD-47	XPD Slide Disassemble Lever Button and Spring	1			
AD-49	XPD Magazine Follower	1			
AD-50	XPD Magazine Nozzle Seal	1			
AD-54	XPD Magazine Base Plate Stop	1			
AE-04	M1 Screw	1			
AE-05	XAE Valve Plate	1			
AE-06	XAE Cylinder	1			
AE-07	XAE Valve Spring	1			
AE-08	XAE Valve	1			
AE-09	XAE Cylinder Cover	1			
AE-10	Cylinder Screw	1			
AE-11	XAE Cylinder Housing Spring	1			
AE-16	XAE H-UP Bucking	1			
AE-19	XAE H-UP Chamber Screw	2			
AE-21	H-UP Dial	1			
AE-22	O-ring	1			
AE-30	XAE Trigger Bar Spring	1			
AE-33	Slide Catch Lever Plate Pin	1			
AE-39	Slide Positioning Block Screw	1			
AE-43A	XAE Hammer Spring Asia Ver.	1			